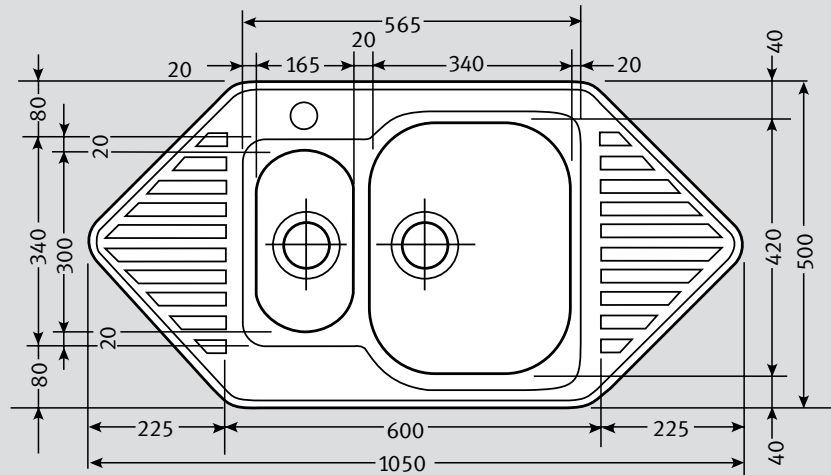


# CPX 652-E Specifications

- **2 x 90mm Wastes with Basket Strainer Waste.**  
Capable of adaptation to take Waste Disposal Unit
- **3 colours of bespoke accessories available**
- **Compact bowl design**
- **Ideal for corner situations**



<b>Material:</b>	304 Austenitic 18/10 Stainless Steel	<b>Waste:</b>	1 x Lira 90mm Basket Strainer Waste with overflow 1 x Lira 90mm Basket Strainer Waste	<b>Overflow:</b>	
<b>Application:</b>	Inset or undermounted into 90cm or 105cm corner units	<b>Bowl size:</b>	340 x 420 x 175 } Bowls welded to frame 165 x 300 x 130 }	<b>Drainer Format:</b>	Not applicable
<b>Drainer Format:</b>	Not applicable	<b>Cut-out size:</b>	1034/584 x 484 (Template supplied)	<b>Colour:</b>	Silk Stainless Steel
<b>Colour:</b>	Silk Stainless Steel	<b>Seal:</b>	Factory Fitted Polyurethane Seal	<b>Insulation:</b>	Pads for sound insulation
<b>Seal:</b>	Factory Fitted Polyurethane Seal	<b>Insulation:</b>	Pads for sound insulation	<b>Heat Resistance:</b>	Up to 300°C
<b>Insulation:</b>	Pads for sound insulation	<b>Heat Resistance:</b>	Up to 300°C	<b>Earthing Point:</b>	Located at end of clip rail
<b>Heat Resistance:</b>	Up to 300°C	<b>Earthing Point:</b>	Located at end of clip rail	<b>Cabinet size:</b>	
<b>Earthing Point:</b>	Located at end of clip rail	<b>Accessories:</b>	<div style="display: flex; justify-content: space-around;"> <div style="text-align: center;">   <b>Food Preparation Platter</b> Mahogany         </div> <div style="text-align: center;">   <b>Food Preparation Platter</b> Hygenia         </div> <div style="text-align: center;">   <b>Drainer Tray</b> Available in White, Almond, Brown or Black         </div> </div> <div style="display: flex; justify-content: space-around; margin-top: 10px;"> <div style="text-align: center;">   <b>Strainer Bowl</b> Available in White, Almond, Brown or Black         </div> <div style="text-align: center;">   <b>Strainer Bowl</b> Stainless Steel         </div> <div style="text-align: center;">   <b>Drainer Basket/Plate Rack</b> Available in White, Almond, Brown or Black         </div> <div style="text-align: center;">   <b>Drainer Basket</b> Stainless Steel         </div> </div>		
<b>Cabinet size:</b>		<b>Sink Profile:</b>	Double Edge	<b>Fixing Clips:</b>	'S' rail
<b>Sink Profile:</b>	Double Edge	<b>Fixing Clips:</b>	'S' rail	<b>Plumbing Kit:</b>	2 part
<b>Fixing Clips:</b>	'S' rail	<b>Plumbing Kit:</b>	2 part	<b>Taps:</b>	Any Franke tap can be utilised with this model*.
<b>Plumbing Kit:</b>	2 part	<b>Taps:</b>	Any Franke tap can be utilised with this model*.		

\*Ceramic disc taps in certain installations or where there is a low head of water (below 4 metres) may not provide adequate flow rates. You are advised to check with your supplier.

Some taps may need bracing to avoid flexing of the sink ledge.

**Guarantee:** Franke sinks are guaranteed for 25 years against manufacturing defect. Franke taps are guaranteed against defective materials and workmanship for 1 year in relation to coatings and finishes, and 5 years in relation to moving parts. Franke will replace (and where appropriate repair) defective sinks. In relation to taps, Franke will where appropriate provide replacement parts for your taps or replace your taps. Any associated or ancillary costs to be incurred by you as a result of replacement of Franke sinks and taps under this guarantee shall in all cases be previously approved by Franke UK Limited. This guarantee is in addition to and does not affect your statutory rights.