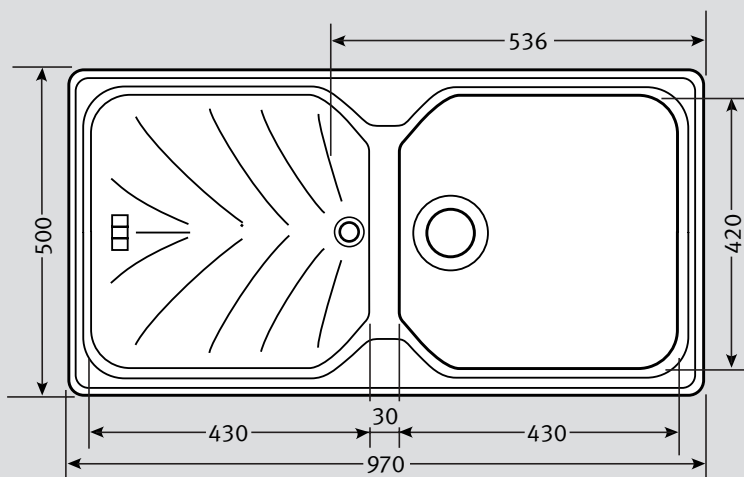


CMG 614 Specifications

- **90mm Waste with Basket Strainer Waste.** Capable of adaptation to take Waste Disposal Unit
- **3 colours of bespoke accessories available**
- **Available as a Designer Value Pack**
- **Recessed drainer with dedicated overflow**
- **Manufactured in Frangrinite material**
- **Available with Stainless steel Accessory resulting in high design concept**



Material:	Frangrinite fused silica/quartz composite	Waste:	1 x McAlpine 90mm Basket Strainer Waste	Overflow:	Chrome Rose
Application:	Inset				
Bowl size:	430 x 420 x 175				
Drainer Format:	Reversible	Accessories available: 			
Cut-out size:	948 x 480 (cr=30)				
Colour:	White, Oatmeal, Champagne, Grey, Slate or Green				
Seal:	Mastic sealant				
Insulation:	Integral	Drainer Basket Stainless steel			
Heat Resistance:	Up to 280°C				
Earthing Point:	Not applicable	Taps: Any Franke tap can be utilised with this model*.			
Cabinet size:					
Fixing Clips:	Attached 	*Ceramic disc taps in certain installations or where there is a low head of water (below 4 metres) may not provide adequate flow rates. You are advised to check with your supplier.			
Plumbing Kit:	1 part 				

Guarantee: Franke sinks are guaranteed for 25 years against manufacturing defect. Franke taps are guaranteed against defective materials and workmanship for 1 year in relation to coatings and finishes, and 5 years in relation to moving parts. Franke will replace (and where appropriate repair) defective sinks. In relation to taps, Franke will where appropriate provide replacement parts for your taps or replace your taps. Any associated or ancillary costs to be incurred by you as a result of replacement of Franke sinks and taps under this guarantee shall in all cases be previously approved by Franke UK Limited. This guarantee is in addition to and does not affect your statutory rights.