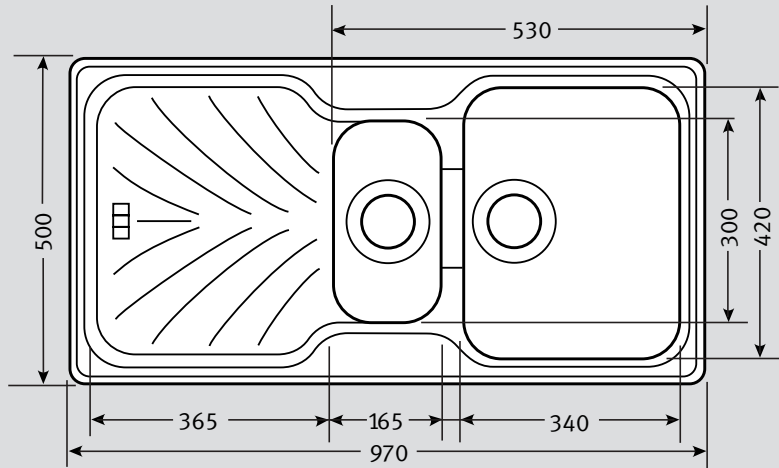


CMG 651 Specifications

- Robust Fraganite material
- 2 x 90mm Wastes with Basket Strainer Wastes, capable of adaptation to take Waste Disposal Unit
- 4 colours of bespoke accessories available
- Available as a Designer Value Pack
- Recessed drainer
- Symmetrical Compact One and a half bowl design
- Available with Stainless steel Accessories resulting in high design concept



Material:	Fragranite fused silica/quartz composite	Waste:	2 x McAlpine 90mm Basket Strainer Wastes
Application:	Inset		
Bowl size:	340 x 420 x 175 165 x 300 x 130		
Drainer Format:	Reversible		
Cut-out size:	948 x 480 (cr=30)		
Colour:	White, Oatmeal, Champagne, Grey, Slate or Green	Accessories available:	
Seal:	Mastic sealant		
Insulation:	Integral	<p>Food Preparation Platter Iroko</p> <p>Drainer Basket Available in White, Almond, Brown or Green</p> <p>Drainer Tray Available in White, Almond, Brown or Green</p> <p>Strainer Bowl Available in White, Almond, Brown or Green</p>	
Heat Resistance:	Up to 280°C	<p>Drainer Basket Stainless steel</p> <p>Strainer Bowl Stainless steel</p>	
Earthing Point:	Not applicable		
Cabinet size:			
Fixing Clips:	Attached		
Plumbing Set		<p>Taps: Any Franke tap can be utilised with this model*.</p> <p>*Ceramic disc taps in certain installations or where there is a low head of water (below 4 metres) may not provide adequate flow rates. You are advised to check with your supplier.</p>	

Guarantee: Franke sinks are guaranteed for 25 years against manufacturing defect. Franke taps are guaranteed against defective materials and workmanship for 1 year in relation to coatings and finishes, and 5 years in relation to moving parts. Franke will replace (and where appropriate repair) defective sinks. In relation to taps, Franke will where appropriate provide replacement parts for your taps or replace your taps. Any associated or ancillary costs to be incurred by you as a result of replacement of Franke sinks and taps under this guarantee shall in all cases be previously approved by Franke UK Limited.

This guarantee is in addition to and does not affect your statutory rights.

The Franke policy is one of continued improvement, and Franke reserve the right to alter models and specifications without notice.