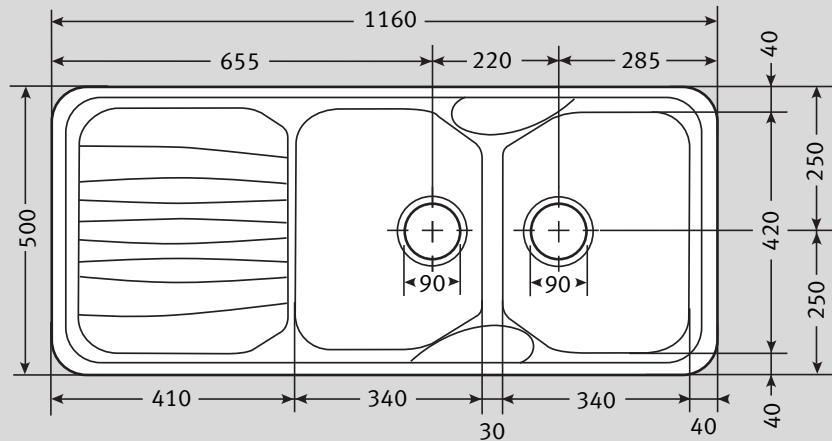
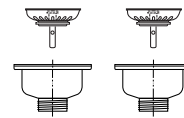


Calypso COG 621 Specifications

- **2 x 90mm Wastes with Basket Strainer Wastes.**
Capable of adaptation to take Waste Disposal Unit
- **Bespoke accessories available**
- **Unique Calypso Design**
- **2 x large bowls**
- **Durable Fraganite Material**



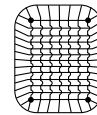
Material:	Fragranite fused silica/quartz composite	Waste: 2 x M ^c Alpine 90mm Basket Strainer Wastes	Overflow: Not applicable
Application:	Inset		
Bowl Size:	340 x 420 x 200 (x2)		
Drainer Format:	Not applicable		
Cut-out Size:	1146 x 486 (cr=20)		
Colour:	Fragranite: Oatmeal, Champagne SilkSheen Fraganite: Polar White, Graphite		
Seal:	Mastic Sealant		
Insulation:	Integral		
Heat Resistance:	Up to 280°C		
Earthing Point:	Not applicable		



Accessories Available:

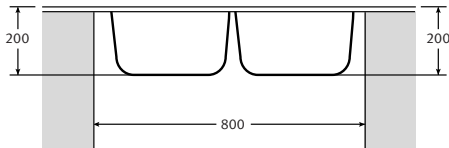


Food Preparation Platter
Mahogany

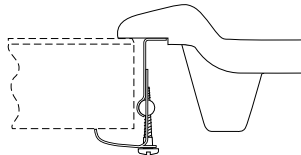


Drainer Basket
Available in White, Almond, Brown and Woodland Green

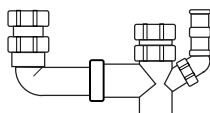
Cabinet Size:



Fixing Clips: Attached



Plumbing Set:



Taps: Any Franke tap can be utilised with this model*.

*Ceramic disc taps in certain installations or where there is a low head of water (below 4 metres) may not provide adequate flow rates. You are advised to check with your supplier.

Guarantee: Franke sinks are guaranteed for 50 years against manufacturing defect. Franke taps are guaranteed against defective materials and workmanship for 1 year in relation to coatings and finishes, and 5 years in relation to moving parts. Franke will replace (and where appropriate repair) defective sinks. In relation to taps, Franke will where appropriate provide replacement parts for your taps or replace your taps. Any associated or ancillary costs to be incurred by you as a result of replacement of Franke sinks and taps under this guarantee shall in all cases be previously approved by Franke UK Limited.

This guarantee is in addition to and does not affect your statutory rights.