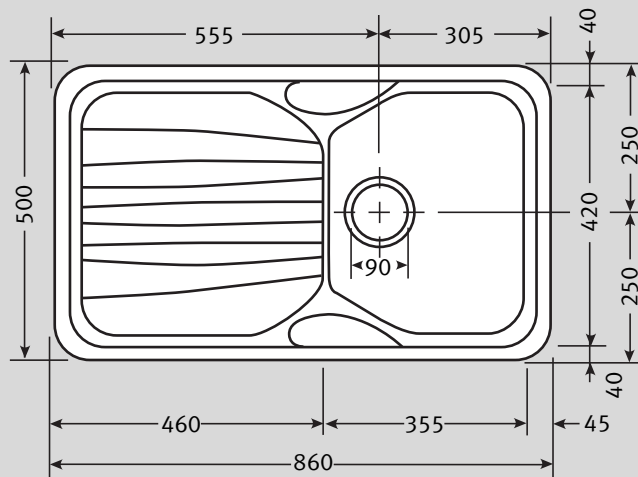
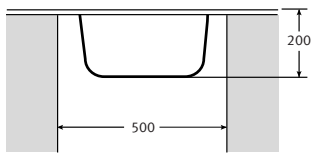
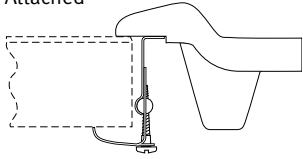
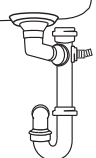

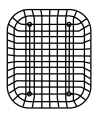


Calypso COG 611 Specifications

- 1 x 90mm Waste with Basket Strainer Waste. Capable of adaptation to take Waste Disposal Unit
- Integral overflow
- Accessories available
- Unique Calypso Design
- Durable Fraganite Material



Material:	Fragranite fused silica/quartz composite	Waste:	1 x McAlpine 90mm Basket Strainer Waste with overflow	Overflow:	
Application:	Inset				
Bowl Size:	355 x 420 x 200				
Drainer Format:	Reversible				
Cut-out Size:	846 x 486 (cr= 20)				
Colour:	Fragranite: Oatmeal, Champagne SilkSheen Fraganite: Polar White, Graphite				
Seal:	Mastic sealant				
Insulation:	Integral				
Heat Resistance:	Up to 280°C				
Earthing Point:	Not applicable				
Cabinet Size:					
Fixing Clips:	Attached 				
Plumbing Kit:	Siphon 1 	Accessories Available:	 Food Preparation Platter Mahogany	 Drainer Basket Available in White, Almond and Brown	
		Taps:	Any Franke tap can be utilised with this model*. *Ceramic disc taps in certain installations or where there is a low head of water (below 4 metres) may not provide adequate flow rates. You are advised to check with your supplier.		

Guarantee: Franke sinks are guaranteed for 50 years against manufacturing defect. Franke taps are guaranteed against defective materials and workmanship for 1 year in relation to coatings and finishes, and 5 years in relation to moving parts. Franke will replace (and where appropriate repair) defective sinks. In relation to taps, Franke will where appropriate provide replacement parts for your taps or replace your taps. Any associated or ancillary costs to be incurred by you as a result of replacement of Franke sinks and taps under this guarantee shall in all cases be previously approved by Franke UK Limited. This guarantee is in addition to and does not affect your statutory rights.