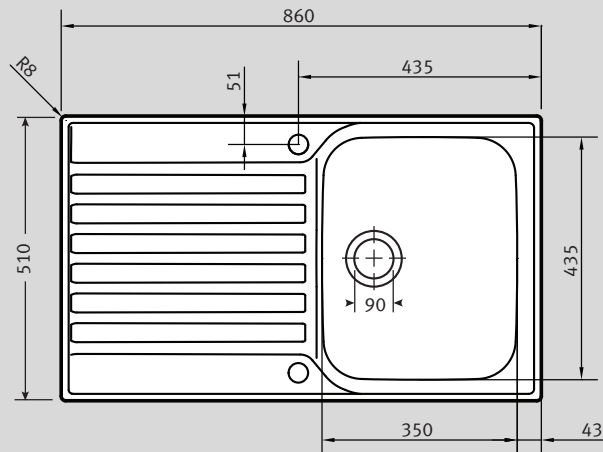


# Ascona ASX 611 Specifications

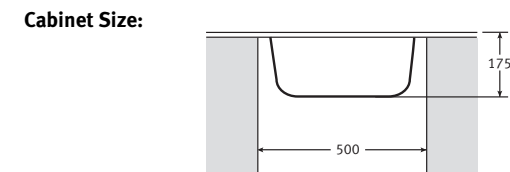
- Unique Slimfix fitting system
- Thin edge profile
- Ease of installation
- Modern sleek reversible drainer
- Deep recessed drainer
- Jumbo bowl
- 1 x 90mm Waste with Basket Strainer Waste. Capable of adaptation to take Waste Disposal Unit



<b>Material:</b>	Stainless Steel
<b>Application:</b>	Inset
<b>Bowl Size:</b>	350 x 435 x 175
<b>Drainer Format:</b>	Reversible
<b>Cut-out Size:</b>	840 x 490 (cr=10)
<b>Colour:</b>	Silk Stainless Steel
<b>Seal:</b>	Apply sealant locally
<b>Insulation:</b>	Black pads
<b>Heat Resistance:</b>	Up to 300°C

**Waste:** 1 x Lira 90mm Semi-Integrated Basket Strainer Waste with overflow

**Overflow:**

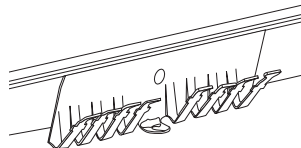


**Accessories Available:**

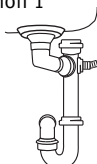


**Food Preparation Platter**  
Mahogany

**Sink Profile:** Fixing Clips: Patented Franke Slimfix® System



**Suggested Plumbing Kit:** Siphon 1



**Taps:** Any Franke tap can be utilised with this model\*.

\*Ceramic disc taps in certain installations or where there is a low head of water (below 4 metres) may not provide adequate flow rates. You are advised to check with your supplier.

Some taps may need bracing to avoid flexing of the sink ledge.

**Guarantee:** Franke sinks are guaranteed for 50 years against manufacturing defect. Franke taps are guaranteed against defective materials and workmanship for 1 year in relation to coatings and finishes, and 5 years in relation to moving parts. Franke will replace (and where appropriate repair) defective sinks. In relation to taps, Franke will where appropriate provide replacement parts for your taps or replace your taps. Any associated or ancillary costs to be incurred by you as a result of replacement of Franke sinks and taps under this guarantee shall in all cases be previously approved by Franke UK Limited.

This guarantee is in addition to and does not affect your statutory rights.