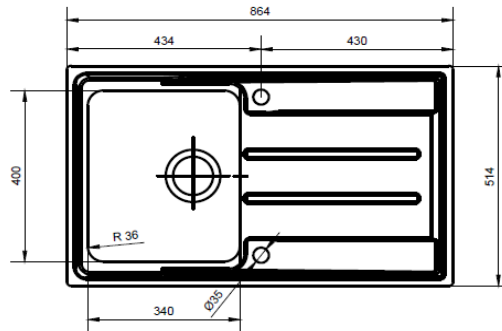


SPECIFICATION SHEET

Product Family: **Sinks** Finish: **Stainless Steel** Series: **Aton** Model: **ANX 211-86**



Product code	127.0371.195
Cabinet size	600mm
Waste outlet	3 1/2 "
Tapholes	2
Length	864mm
Width	514mm
Length of large bowl	340mm
Width of large bowl	400mm
Depth of large bowl	190mm
Number of bowls	1
Cut out length	855mm
Cut out width	505mm
Cut out radius	R20mm
Position of drainer	Reversible
Overflow	Hidden rectangular
Construction	2 parts welded
Steel type	304
Gauge	0.7mm frame and bowl
Waste kit included	Yes
Waste kit Code	112.0049.409 x 1
Overflow code	133.0173.094 x 1
Taphole stopper	112.0073.191 x 1
Clamps	133.0175.719 x 1