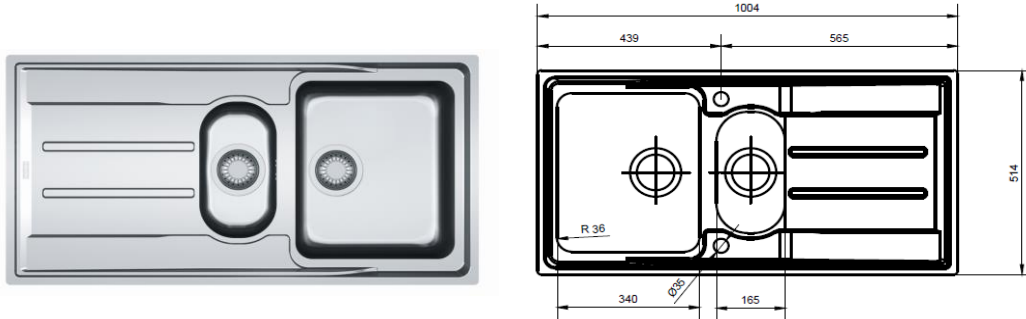


SPECIFICATION SHEET

Product Family: **Sinks** Finish: **Stainless Steel** Series: **Aton** Model: **ANX 251**



| | |
|-----------------------|----------------------|
| Product code | 127.0371.201 |
| Cabinet size | 600mm |
| Waste outlet | 3 1/2 " |
| Tapholes | 2 |
| Length of sink | 1004mm |
| Width of sink | 514mm |
| Length of large bowl | 340mm |
| Width of large bowl | 400mm |
| Depth of large bowl | 190mm |
| Length of second bowl | 306mm |
| Width of second bowl | 165mm |
| Depth of second bowl | 130mm |
| Number of bowls | 2 |
| Cut out length | 995mm |
| Cut out width | 505mm |
| Cut out radius | R20mm |
| Position of drainer | Reversible |
| Overflow | Hidden rectangular |
| Construction | 3 parts welded |
| Steel type | 304 |
| Gauge | 0.7mm frame and bowl |
| Waste kit included | Yes |
| Waste kit code | 112.0049.409 x 1 |
| Overflow code | 133.0254.559 x 1 |
| Waste kit code | 112.0049.406 x 1 |
| Taphole stopper | 112.0073.191 x 1 |
| Clamps | 133.0175.719 x 1 |