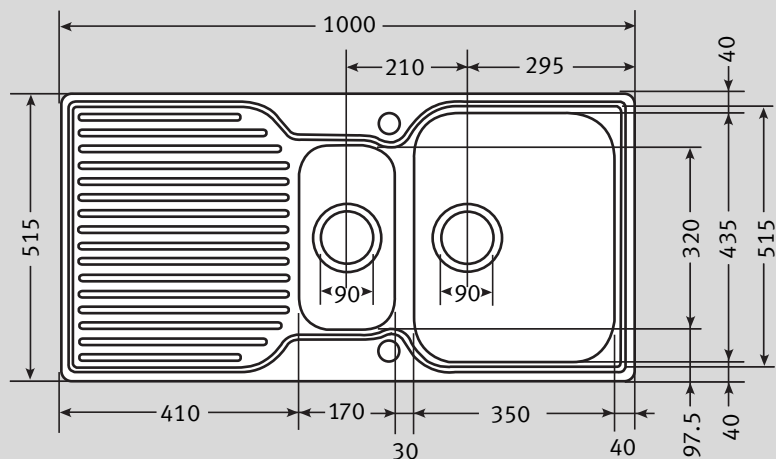


# Ariane ARG 651 Specifications

- **2 x 90mm Wastes with matching Basket Strainer Wastes.** Capable of adaptation to take Waste Disposal Unit.
- **Stainless steel accessories available.**
- **Large diagonal bowl dimension.**
- **Multi-fluted drainer ribs.**
- **Ideal working configuration.**
- **Reversible format.**



<b>Material:</b>	SilkSheen FrAGRanite	<b>Waste:</b> 2 x 90mm Basket Strainer Wastes	<b>Overflow:</b> Not applicable
<b>Application:</b>	Inset		
<b>Bowl Size:</b>	350 x 435 x 180 170 x 320 x 135		
<b>Drainer Format:</b>	Left or right hand drainer available	<b>Accessories Available:</b> <p><b>Strainer Bowl</b> Available in White, Almond, Brown or Black</p> <p><b>Drainer Basket</b> Available in White, Almond, Brown or Black</p> <p><b>Drainer Tray</b> Stainless Steel</p> <p><b>Drainer Tray</b> Available in White, Almond, Brown or Black</p> <p><b>Food Preparation Platter</b> Mahogany</p> <p><b>Drainer Basket</b> Stainless Steel</p> <p><b>Strainer Bowl</b> Stainless Steel</p>	
<b>Cut-out Size:</b>	986 x 501 (cr=20)		
<b>Colour:</b>	Polar White & Graphite		
<b>Seal:</b>	Apply locally		
<b>Insulation:</b>	Not applicable		
<b>Heat Resistance:</b>	Up to 280°C		
<b>Earthing Point:</b>	Not applicable		
<b>Cabinet Size:</b>			
<b>Fixing Clips:</b>	Attached 		
<b>Suggested Plumbing Kit:</b>	Siphon 2 	<b>Taps:</b> Any Franke tap can be utilised with this model*.	

**Guarantee:** Franke sinks are guaranteed for 50 years against manufacturing defect. Franke taps are guaranteed against defective materials and workmanship for 1 year in relation to coatings and finishes, and 5 years in relation to moving parts. Franke will replace (and where appropriate repair) defective sinks. In relation to taps, Franke will where appropriate provide replacement parts for your taps or replace your taps. Any associated or ancillary costs to be incurred by you as a result of replacement of Franke sinks and taps under this guarantee shall in all cases be previously approved by Franke UK Limited. This guarantee is in addition to and does not affect your statutory rights.

The Franke policy is one of continued improvement, and Franke reserve the right to alter models and specifications without notice.